

Idem Featured E Stops - ESL-SS-WR Water Resistant

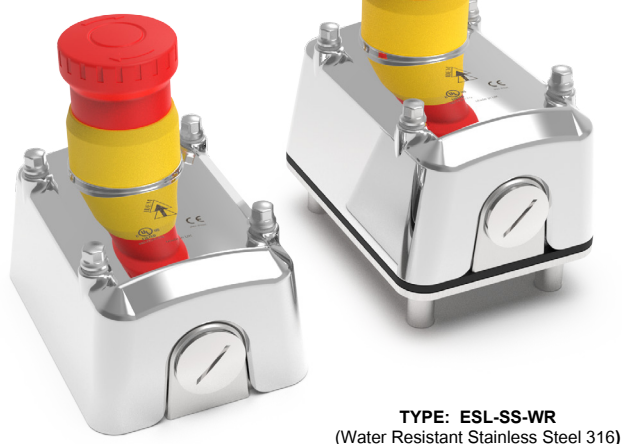
DESCRIPTION & FEATURES:



IDEM's new water resistant Emergency Stop Switch is designed to provide robust Emergency Stop protection for applications in the food and beverage industries. The unique design features a single piece enclosure with a curved edge for ease of cleaning. The mirror polished surface to Ra10 is designed to cope with direct food splash and cleaning found in the tough applications of the Food Processing Industries. Should the button end up on the production line, the ESL-SS-WR features IDEM's unique X-Ray detectable material.

- Stainless Steel 316 (IP69K).
- Conformance to ISO13850, EN60947-5-1 and EN60947-5-5.
- A special lid safety trip mechanism means that the safety contacts will open if the lid is removed - this provides an extra degree of anti-tamper.
- Contacts: 4 Pole Positively operated contact blocks
- Conduit Entry: M20 or 1/2 NPT fitting
- Stand off spacers available.

IP69K



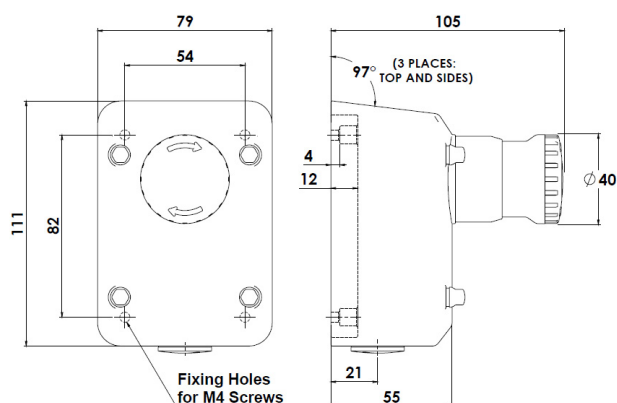
TYPE: ESL-SS-WR
(Water Resistant Stainless Steel 316)



239300 Rear Rubber Seal
239301 Stainless Steel Spacer Kit

SALES NUMBER	TYPE	CONDUIT ENTRY	CONTACTS
239001	ESL-SS-WR	M20	2NC 2NO
239002	ESL-SS-WR	NPT ¹ /2	2NC 2NO
239003	ESL-SS-WR	M20	3NC 1NO
239004	ESL-SS-WR	NPT ¹ /2	3NC 1NO
239005	ESL-SS-WR	M20	4NC
239006	ESL-SS-WR	NPT ¹ /2	4NC
239300	Rear Rubber Seal - WR		
239301	Stainless Steel Spacer Kit - WR		

DIMENSIONS:

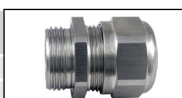


Standards: EN60947-5-1, EN60947-5-5, EN62061 ,
UL508, ISO13850, ISO13849-1

Safety Classification and Reliability Data:

Mechanical Reliability B10d ISO13849-1	1.5 x 10 ⁶ operations at 100mA load Up to PLe depending upon system architecture
EN62061	Up to SIL3 depending upon system architecture
Safety Data – Annual Usage	8 cycles per hour/24 hours per day/365 days MTTFd 214 years
Enclosure/Cover Material	Stainless Steel 316
IP Rating	IP69K
Mounting	4 x M4
Mounting Position	Any
Conduit Entries	1 x M20 or 1 x 1/2" NPT (by Sales Number)
Tongue Settings	Mounting M4 4.0Nm Lid T20 Torx M4 1.5Nm
Terminals	1.0Nm
Ambient Temperature	-25C +80C
Vibration Resistance	10-500Hz 0.35mm
Shock Resistance	11ms 15g
Weight	1000kg
Contact Type	EN60947-5-1 double break type Zb
Contact Material	Silver
Termination Clamp	up to 2.5mm ² conductors
Rating	Utilisation category AC15
Operational Rating	240V 3A
Thermal Current (Ith)	10A
Rated Insulation Voltage (U)	500V
Withstand Voltage (Uimp)	2500V
Short Circuit Overload Protection	Fuse externally 10A(FF)

S/STEEL 316 GLAND NUMBER	SALES NUMBER
M20	140120
1/2" NPT	140121



IDEM recommend using our Stainless Steel 316 Gland with this switch.