



Trapped Key Mini Valve Locks – Types MV-FCL MV-FOP



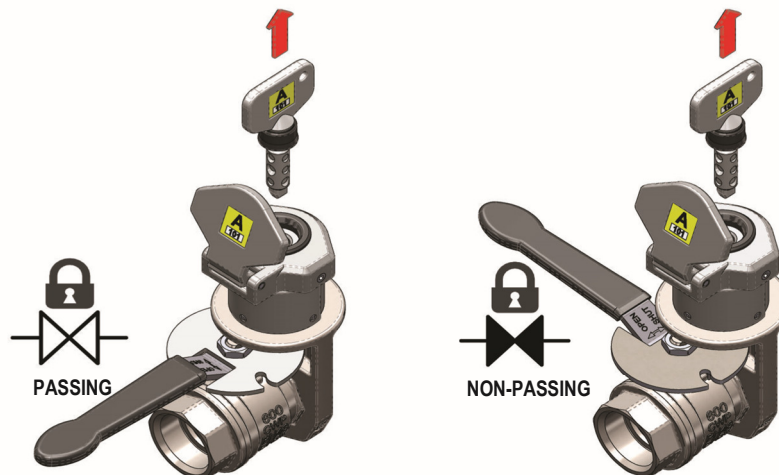
IDEM's mini valve locks can be used standalone or for use as part of a SKORPION Trapped Key solution.

They can be locked in an open or closed state (passing or non-passing). The key can then be removed and can be moved to safe storage (to avoid tampering) or can be integrated with trapped key guard interlocks to protect operators from machine, gas or air hazards that may be present.

Benefits

- Option when key free of passing or non-passing (open or closed valve).
- Eliminates the need for electrical wiring.
- Available in stainless steel 316 housing or die cast metal housing.
- Suitable for CIP and SIP cleaning processes and can be high pressure hosed with detergents at high temperatures.
- Virtually maintenance free - apart from scheduled inspection checks.
- Four thread sizes (BSP) to cover most popular options.
- Compact designed for ease of mounting.
- Until the key is returned to its original position within the mini valve lock, there is no way to enable the machinery to be re-started.
- Can easily be integrated with trapped key interlocks as part of a SKORPION Trapped Key system.

- 40 Bar (600 psi)
- Air, Inert Gases, Steam, Water
- - 40C to +125C



SALES NUMBER	FLOW	STAINLESS STEEL MINI VALVE LOCK DESCRIPTION
SS-MV-FCL-1/4	Non-Passing	Stainless Steel Mini Valve Lock 1/4" BSP FCL
SS-MV-FCL-3/8	Non-Passing	Stainless Steel Mini Valve Lock 3/8" BSP FCL
SS-MV-FCL-1/2	Non-Passing	Stainless Steel Mini Valve Lock 1/2" BSP FCL
SS-MV-FCL-1	Non-Passing	Stainless Steel Mini Valve Lock 1" BSP FCL
SS-MV-FOP-1/4	Passing	Stainless Steel Mini Valve Lock 1/4" BSP FOP
SS-MV-FOP-3/8	Passing	Stainless Steel Mini Valve Lock 3/8" BSP FOP
SS-MV-FOP-1/2	Passing	Stainless Steel Mini Valve Lock 1/2" BSP FOP
SS-MV-FOP-1	Passing	Stainless Steel Mini Valve Lock 1" BSP FOP

SALES NUMBER	FLOW	DIE CAST METAL MINI VALVE LOCK DESCRIPTION
M-MV-FCL-1/4	Non-Passing	Die Cast Metal Mini Valve Lock 1/4" BSP FCL
M-MV-FCL-3/8	Non-Passing	Die Cast Metal Mini Valve Lock 3/8" BSP FCL
M-MV-FCL-1/2	Non-Passing	Die Cast Metal Mini Valve Lock 1/2" BSP FCL
M-MV-FCL-1	Non-Passing	Die Cast Metal Mini Valve Lock 1" BSP FCL
M-MV-FOP-1/4	Passing	Die Cast Metal Mini Valve Lock 1/4" BSP FOP
M-MV-FOP-3/8	Passing	Die Cast Metal Mini Valve Lock 3/8" BSP FOP
M-MV-FOP-1/2	Passing	Die Cast Metal Mini Valve Lock 1/2" BSP FOP
M-MV-FOP-1	Passing	Die Cast Metal Mini Valve Lock 1" BSP FOP

FOP: KEY FREE, VALVE OPEN
FCL: KEY FREE, VALVE CLOSED

READ AND UNDERSTAND THESE INSTRUCTIONS BEFORE INSTALLING, OPERATING, OR MAINTAINING THIS EQUIPMENT.

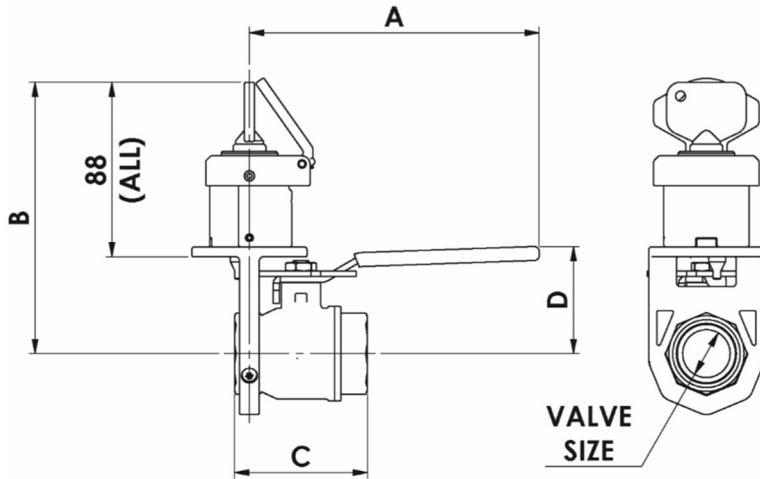
The product is designed to be a component of a customized safety oriented control system. It is the responsibility of the user to ensure the correct overall functionality of its systems and machines. IDEM, its subsidiaries and affiliates, are not in a position to guarantee all of the characteristics of a given system or product not designed by IDEM.

INSTALLATION: Installation must only be carried out by competent personnel and in accordance with these instructions.

Tightening torque for secure fixing is 4Nm.

WARNING: Freezing of any fluid in the installation may severely damage the valve.

MAINTENANCE: Every month: Check correct function. If the key or housing display signs of mechanical damage then remove and replace. IDEM will not accept responsibility for failure of the switch functions if the installation and maintenance requirements are not implemented. THESE INSTRUCTIONS FORM PART OF THE PRODUCT WARRANTY.



PART NUMBER	A (mm)	B (mm)	C (mm)	VALVE SIZE (BSP)
MV-FCL-1/4	96	125	39	0.25 INCH
MV-FOP-1/4	96	125	39	0.25 INCH
MV-FCL-3/8	96	125	39	0.375 INCH
MV-FOP-3/8	96	125	39	0.375 INCH
MV-FCL-1/2	118	129	50	0.5 INCH
MV-FOP-1/2	118	129	50	0.5 INCH
MV-FCL-1	146	137	67	1 INCH
MV-FOP-1	146	137	67	1 INCH

TECHNICAL SPECIFICATIONS:

Body Material: Stainless steel or die cast
Operating Temperature: -40C. to +125C.
Mechanical Life (B10d) : 1,000,000 cycles
Fluids: Air, Inert Gases, Steam, Water

IDEM SAFETY SWITCHES Ltd. (U.K.) 2,Ormside Close, Hindley Ind. Est., Hindley Green, Wigan, WN2 4HR
Tel: +44 (0)1942 257070 Fax.: +44 (0)1942 257076 email: sales@idemsafety.com

IDEM SAFETY SWITCHES USA, Inc. 2574 S.Beverley St., Suite 104, Boise, ID 83709
Tel: 510-445-0751 Fax: 866-431-7064 email: salesusa@idemsafety.com Web: www.idemsafety.com